

Applicant Acknowledgement

I, _____(print name) here by acknowledge that by attaching this to my signed permit application; that my permit will be issued with only a general plan review provided. I am aware of my responsibility to construct the Uncovered Deck under 1.8m(6'-0") to comply with code requirements. Any deficiency(s) identified at the time of site inspection will be corrected in a timely manner.

_____(Signature) I have reviewed this document and confirm my project does not contain any of the items that **require a complete plans review by a Building Safety Codes Officer.**

Submitted Documentation includes a minimum of:

- site plan
- plan view, complete with construction details for the proposed deck (decking, floor joists, beam, columns, foundation)
- cross section view or sample plan with dimensions filled in

Documentation provided will be reviewed in conjunction with construction at the time of site inspection.

Application

What if My Permit is Covered, or Over 6'-0"?

Uncovered decks over 1.8m (6'-0"), are subject to more stringent requirements in the Building Code. Covered decks are considered additions to houses. In both cases, a **full Plans Examination by a Building Safety Codes Officer is required** prior to permit issuance and construction.

Required Inspections

Required inspection(s) will be printed on your issued permit. It is the responsibility of the applicant to call for all required inspection(s) PRIOR TO COVERING. If you have questions, don't hesitate to get in touch with OUR OFFICE AT (780) 454 5048 or EMAIL US AT general@inspectionsgroup.com

NOTE: Below is a general overview of code requirements that will be emphasized at the time of inspection. Inspection may identify additional requirements as determined by the Safety Codes Officer at time of inspection. **Failed inspections may require re-inspection, alteration or verification by an engineer.**

Inspection Emphasis: The deck construction should be complete except for any planned skirting to be installed. **The skirting is to be left off to allow the inspector to view all structural elements, failure to do so will result in a failed inspection.** At the inspection, the inspector will ensure appropriately-sized columns, beams, and joists are used and their spans are correct. The inspector will ensure columns are

centered on their foundation (examples include concrete or screw piles), joints in the beam are located within the quarter point of their spans, appropriate hangars are used and secured, and guards are adequate to support the specified loads on guards in the Building Code.

Code Requirements – National Building Code: Alberta Edition 2019

- 1) Guardrails: Every deck that requires a permit, requires guards. Guards must be a minimum height of 900mm (3'-0"),

Code Origin: Article 9.8.8.1., Part 9, Division B

- 2) Guards & Handrails on Stairs: Stairs don't require guards on both sides if the walking surface is less than 600mm (24") from the adjacent grade. Stairs with more than three risers require a handrail on at least one side.

Code Origin: Articles 9.8.8.1. and clause 9.8.7.1.(3)(b), Part 9, Division B

- 3) Openings in Guards: Any spindles or balusters cannot be spaced more than 100mm (4"). The latest Code cycle allows horizontal guards up to a height of 4.2m (13'-9") from adjacent grade, allowing most decks to have horizontal or ornamental guard rails.

Code Origin: Articles 9.8.8.5. & 9.8.8.6., Part 9, Division B

- 4) Nailing of Joists to Supports: The bottom of each joist must be toe-nailed to beam supports, end-nailed to header joists, or be continuously strapped, have solid blocking or cross-bridging at the each joist end to restrain the joists from twisting.

Code Origin: Article 9.23.9.3., Part 9, Division B

- 5) Mid-Point Blocking: When joists span any distance greater than 2.1m (7'-0"), solid blocking, bracing, bridging, or strapping is required.

Code Origin: Clause 9.23.9.4.(1)(b), Part 9, Division B

- 6) Maximum Joist Spans: The maximum joist spans are taken from the Table 9.23.4.2.A, *Maximum Spans for Floor Joists – General Cases* in the 2019 National Building Code (Alberta Edition).

(Portion of Span Table on next page)

Maximum Joist Spans

Joist Size	12" On Center		16" On Center		24" On Center	
	Metric	Imperial	Metric	Imperial	Metric	Imperial
2x6	2.92 M	9 ft - 6 inches	2.71 M	8 ft - 10 inches	2.49 M	8 ft - 2 inches
2x8	3.54 M	11 ft - 7 inches	3.36 M	11 ft - 0 inches	3.2 M	10 ft - 5 inches
2x10	4.17 M	13 ft - 8 inches	3.96 M	12 ft - 11 inches	3.77 M	12 ft - 4 inches
2x12	4.75 M	15 ft - 7 inches	4.52 M	14 ft - 9 inches	4.3 M	14 ft - 1 inch

Spans based on SPF No1 of No 2 Grade lumber with floor joists having mid-span strapping installed. Other acceptable options are available, and it is up to the applicant to meet construction requirements of the Building Code.

Code Origin: Sentence 9.23.4.2.(1), Part 9, Division B

- 7) Maximum Beam Spans: The maximum beam spans are taken from the Table 9.23.4.2.H, *Maximum Spans for Built-up Floor Beams Supporting not more than One Floor* in the 2019 National Building Code (Alberta Edition). A minimum three ply beam is required, no matter which material chosen.

Maximum Beam Spans

# of Ply's	Beam Size	Joist Span less than 3 Meters (9'-10")		Joist Span less than 4.2 Meters (13'-9")		Joist Span less than 4.8 Meters (15'-8")	
		Metric	Imperial	Metric	Imperial	Metric	Imperial
3	2x8	2.63 M	8 ft - 7 inches	2.31 M	7 ft - 6 inches	2.16 M	7 ft - 1 inch
3	2x10	3.34 M	10 ft - 11 inches	2.82 M	9 ft - 3 inches	2.64 M	8 ft - 7 inches
3	2x12	3.88 M	12 ft - 8 inches	3.28 M	10 ft - 9 inches	3.06 M	10 ft - 0 inches

Spans based on SPF No1 of No 2 Grade lumber . Other acceptable options are available, and it is up to the applicant to meet construction requirements of the Building Code.

Code Origin: Sentence 9.23.4.2.(3), Part 9, Division B

- 8) Size of Wood Columns: The width or diameter of a wood column can't be less than the width of the beam the column is supporting.

Code Origin: Sentence 9.17.4.1.(1), Division B, Part 9

- 9) Minimum Stair Tread Run: The minimum run for a stair tread, measured nosing-to-nosing, is 255mm (10").

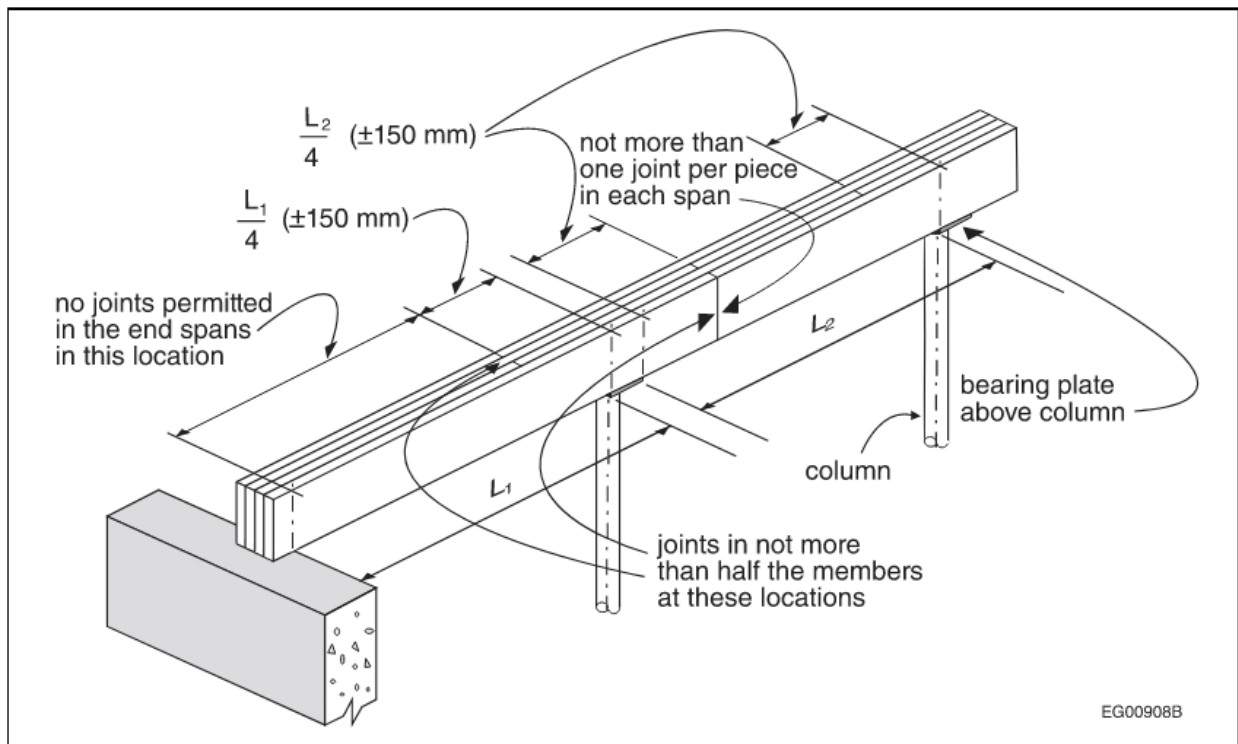
Code Origin: Article 9.8.4.2., Division B, Part 9

- 10) Uniformity and Tolerances for Risers, Runs, and Treads: Both risers and treads must be of uniform height and length. The maximum tolerances for 5mm ($\frac{3}{16}$ "), between adjacent risers or treads, and 10mm ($\frac{3}{8}$ ") between the shortest and tallest risers or treads.

Where the bottom risers meets a sloping grade, at a distance of 300mm (12") from the inside of the handrail the riser height must be uniform with the rest of the flight.

Code Origin: Article 9.8.4.4., Division B, Part 9

- 11) Quarter-pointing Beam Splices: Splices/joints in beams should occur over a support, unless the beam is continuous over more than one span. Provided the quarter points are not located closest to the ends of the beam, beam splices are permitted to be butted together at, or within 150mm (6") of, the end of the quarter points of the clear spans.



Code Origin: Article 9.23.8.3., Division B, Part 9

Free downloadable PDF copy of the National Building Code: Alberta Edition is available from the National Research Council. <https://nrc-publications.canada.ca/eng/view/ft/?id=3e93ecc7-7ad6-43ff-ac1e-89c0d033b8aa> The PDF is hyperlinked and searchable.